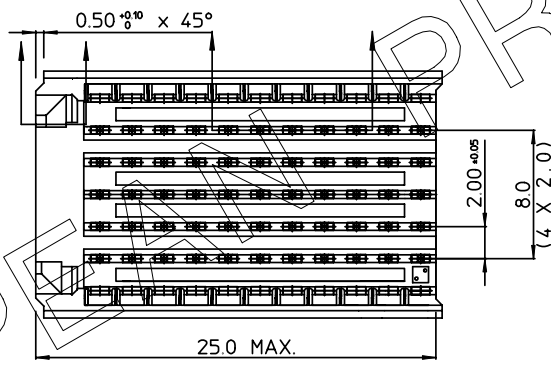
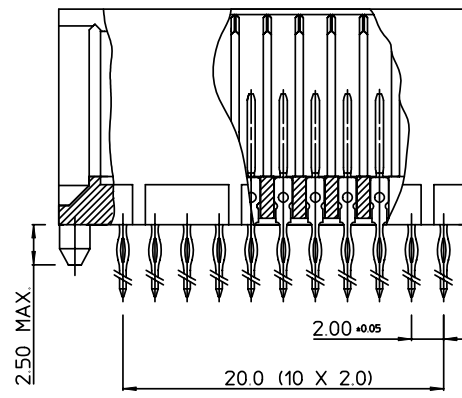
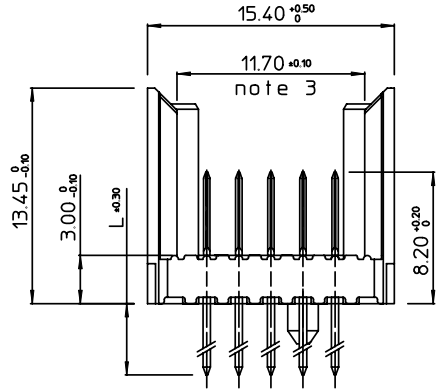


GEN. ST.	01	02	03	04	05	06	07	08	0D	50	60	70	80	90																	
INT. ST.	10	11	12	13	14	18	20	31	32	33	34	38	39	40	42	43	44	45	46	48	56	70	72	73	75	76	81	82	83	84	88

REV.	DATE	DESCRIPTION	BY	C'K'D'
A	2001-09-14	CONVERSION REVISION 05	KN	
B	2005-10-26	105-0205	ALEX B	BKP
C	2006-07-05	106-0096	VIVEK	BKP
05	31050199	BEC 9.3525	R.M.	



PERFORMANCE CHARACTERISTICS

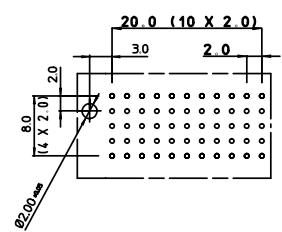
CURRENT RATING : 1.5 A AT 20°C (FULLY LOADED)
 CURRENT RATING : 1 A AT 70°C (FULLY LOADED)
 RATED VOLTAGE : 500 V AC (CONT / CONT)
 OPERATING TEMPERATURE : -55°C TO 125°C
 CONTACT RESISTANCE : 20 mΩ MAX
 INSERTION FORCE : 0.75 N MAX / CONT
 EXTRACTION FORCE : 0.15 N MIN / CONT
 INSULATION RESISTANCE : 10⁴ MΩ MIN

CAT. NR.	L ±0.3	DESCRIPTION
HM2P80PD5110----	3.7	SHORT PRESS-FIT
HM2P80PC5110----	4.5	SHORT PRESS-FIT
HM2P80PK5110----	13	REAR PLUG-UP: LEVEL 1
HM2P80PM5110----	14.5	REAR PLUG-UP: LEVEL 2
HM2P80PN5110----	16	REAR PLUG-UP: LEVEL 3
HM2P80PT5110----	13	WIRE WRAP

NOTES

- *HM2P80P#5110--- PERFORMANCE LEVEL INDICATOR (REFER DWG No. BS,C ,201844,003)
LEAD FREE INDICATOR : LF=LEAD FREE (DIGIT 15&16)
- THIS PRODUCT IS CSA APPROVED.
THIS PRODUCT IS UL RECOGNIZED.
- MEASURED AT THE BOTTOM.
- FOR RECOMMENDED PTH DIMENSIONS REFER DRAWING : BS,A ,201572,001
- THE PRODUCT (LF) MEETS EUROPEAN UNION DIRECTIVES AND OTHER COUNTRY REGULATIONS AS DESCRIBED IN GS-22-008

LAY-OUT P.C.B.- HOLE



THIS IS OUR EXCLUSIVE PROPERTY. IT IS NOT TO BE COPIED, REPRINTED OR DISCLOSED TO A THIRD PARTY, NOR USED FOR MANUFACTURING WITHOUT OUR WRITTEN CONSENT, AND HAS TO BE RETURNED TO US IN CASE OF NO USAGE
 DIT IS ONZE EIGENDOM EN MAG NOCH NAGEMAAKT, HERDRUKT, OVERGEMAAKT AAN DERDEN, NOCH VOOR FABRIKATIE GEBRUIKT WORDEN, ZONDER ONZE SCHRIFTELIJKE TOELATING. BIJ NIET GEBRUIK IS TERUGZENDING VERPLICHT.

MALE SIGNAL STRAIGHT PRESS-FIT-TO-BOARD CONNECTOR WITH SERVICECENTER (WIDE BODY)

1DEC ±0,2 2DEC ±0,1 ANGLES ±1°	APPR.	DATE	SIGN.	MILLIPACS 2 / TYPE CR / NO SHIELDING
	DRAFT	1995-03-28	W.Panis	CAT. No. HM2P80P#5110----
	CHECKED			
WE RESERVE THE RIGHT TO CHANGE DIMENSIONS OR REQUIREMENTS WITHOUT PRIOR NOTICE.	PROD. MGR.			FCJ www.fciconnect.com
	PR. ENG. MGR.			
	PR. MGT. MGR.			SCALE 3/1
ALL DIMENSIONS IN MM	REFERENCES			BS,C ,201632,013 C

PDM: Rev:C STATUS: Released CUSTOMER DRAWING REVISION